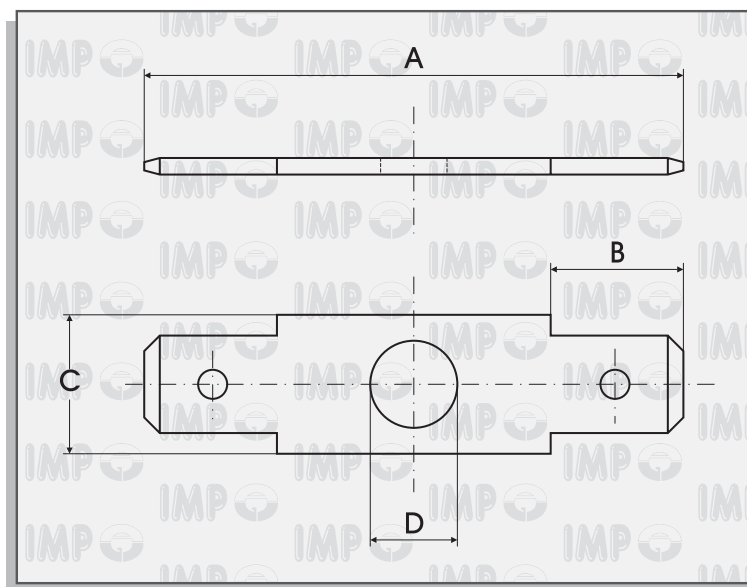

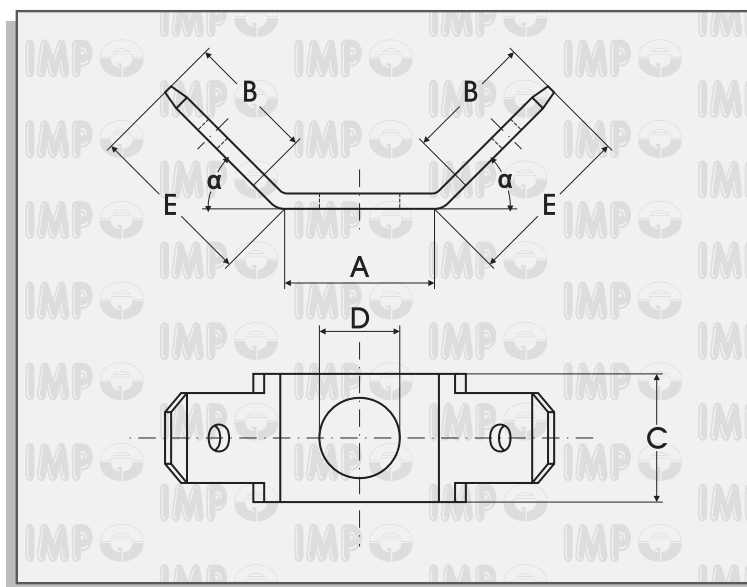



|                       |        |
|-----------------------|--------|
| LINGUETTE DOPPIE      | 4.8 mm |
| DOUBLE TABS           | 4.8 mm |
| LANGUETTES DOUBLE     | 4.8 mm |
| DOPPELTE FLACHSTECKER | 4.8 mm |



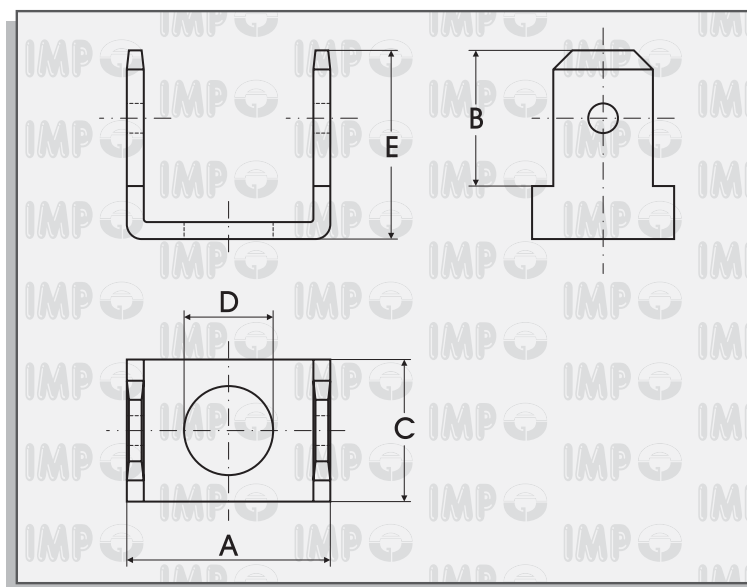
| Spess.maschio<br>Tab thick<br>Epaisseur male<br>Steckdicke<br>mm | Spess.materiale<br>Material thick<br>Epaisseur matériel<br>Material dicke<br>mm | A    | B   | C   | D   | E | Codice - Part No.<br>Code - Teile Nr.   | Materiale<br>Material<br>Matériel<br>Material |
|--|---|------|-----|-----|-----|---|---|---|
|  |   |      |     |     |     |   | Bag <br>5.000 Pcs. |   |
| 0,50   | 0,50  | 26,0 | 6,4 | 7,0 | 2,7 | - | 00270048.05.00  | Cu Zn   |
|  |   |      |     |     |     |   | 00270048.05.01  | Cu Zn gal Sn                                  |
| 0,50   | 0,50  | 26,0 | 6,4 | 7,0 | 3,2 | - | 00320048.05.00  | Cu Zn   |
|  |   |      |     |     |     |   | 00320048.05.01  | Cu Zn gal Sn                                  |
| 0,50   | 0,50  | 26,0 | 6,4 | 7,0 | 4,2 | - | 00420048.05.00  | Cu Zn   |
|  |   |      |     |     |     |   | 00420048.05.01  | Cu Zn gal Sn                                  |
| 0,80   | 0,80  | 26,0 | 6,4 | 7,0 | 2,7 | - | 00270048.08.00  | Cu Zn   |
|  |   |      |     |     |     |   | 00270048.08.01  | Cu Zn gal Sn                                  |
| 0,80   | 0,80  | 26,0 | 6,4 | 7,0 | 3,2 | - | 00320048.08.00  | Cu Zn   |
|  |   |      |     |     |     |   | 00320048.08.01  | Cu Zn gal Sn                                  |
| 0,80   | 0,80  | 26,0 | 6,4 | 7,0 | 4,2 | - | 00420048.08.00  | Cu Zn   |
|  |   |      |     |     |     |   | 00420048.08.01  | Cu Zn gal Sn                                  |


|                       |        |
|-----------------------|--------|
| LINGUETTE DOPPIE      | 4.8 mm |
| DOUBLE TABS           | 4.8 mm |
| LANGUETTES DOUBLE     | 4.8 mm |
| DOPPELTE FLACHSTECKER | 4.8 mm |



| Spess.maschio<br>Tab thick<br>Epaisseur male<br>Steckdicke<br>mm | Spess.materiale<br>Material thick<br>Epaisseur matériel<br>Material dicke<br>mm | A   | B   | C   | D   | E   | $\alpha$ | Codice - Part No.<br>Code - Teile Nr.   | Materiale<br>Material<br>Matériel<br>Material |
|--|---|-----|-----|-----|-----|-----|----------|---|---|
|  |   |     |     |     |     |     |          | Bag<br>5.000 Pcs.  |   |
| 0,50   | 0,50  | 8,0 | 6,4 | 7,0 | 2,7 | 8,7 | 45°      | 45274548.05.00  | Cu Zn   |
|  |   |     |     |     |     |     |          | 45274548.05.01  | Cu Zn gal Sn                                  |
| 0,50   | 0,50  | 8,0 | 6,4 | 7,0 | 3,2 | 8,7 | 45°      | 45324548.05.00  | Cu Zn   |
|  |   |     |     |     |     |     |          | 45324548.05.01  | Cu Zn gal Sn                                  |
| 0,50   | 0,50  | 8,0 | 6,4 | 7,0 | 4,2 | 8,7 | 45°      | 45424548.05.00  | Cu Zn   |
|  |   |     |     |     |     |     |          | 45424548.05.01  | Cu Zn gal Sn                                  |
| 0,80   | 0,80  | 8,0 | 6,4 | 7,0 | 2,7 | 8,7 | 45°      | 45274548.08.00  | Cu Zn   |
|  |   |     |     |     |     |     |          | 45274548.08.01  | Cu Zn gal Sn                                  |
| 0,80   | 0,80  | 8,0 | 6,4 | 7,0 | 3,2 | 8,7 | 45°      | 45324548.08.00  | Cu Zn   |
|  |   |     |     |     |     |     |          | 45324548.08.01  | Cu Zn gal Sn                                  |
| 0,80   | 0,80  | 8,0 | 6,4 | 7,0 | 4,2 | 8,7 | 45°      | 45424548.08.00  | Cu Zn   |
|  |   |     |     |     |     |     |          | 45424548.08.01  | Cu Zn gal Sn                                  |

|                       |        |
|-----------------------|--------|
| LINGUETTE DOPPIE      | 4.8 mm |
| DOUBLE TABS           | 4.8 mm |
| LANGUETTES DOUBLE     | 4.8 mm |
| DOPPELTE FLACHSTECKER | 4.8 mm |



| Spess.maschio<br>Tab thick<br>Epaisseur male<br>Steckdicke<br>mm | Spess.materiale<br>Material thick<br>Epaisseur matériel<br>Material dicke<br>mm | A   | B   | C   | D   | E   | Codice - Part No.<br>Code - Teile Nr.   | Materiale<br>Material<br>Matériel<br>Material |
|--|---|-----|-----|-----|-----|-----|---|---|
|  |   |     |     |     |     |     | Bag <br>5.000 Pcs. |   |
| 0,50   | 0,50  | 9,3 | 6,4 | 7,0 | 2,7 | 9,2 | 90279048.05.00  | Cu Zn   |
|  |   |     |     |     |     |     | 90279048.05.01  | Cu Zn gal Sn                                  |
| 0,50   | 0,50  | 9,3 | 6,4 | 7,0 | 3,2 | 9,2 | 90329048.05.00  | Cu Zn   |
|  |   |     |     |     |     |     | 90329048.05.01  | Cu Zn gal Sn                                  |
| 0,50   | 0,50  | 9,3 | 6,4 | 7,0 | 4,2 | 9,2 | 90429048.05.00  | Cu Zn   |
|  |   |     |     |     |     |     | 90429048.05.01  | Cu Zn gal Sn                                  |
| 0,80   | 0,80  | 9,3 | 6,4 | 7,0 | 2,7 | 9,2 | 90279048.08.00  | Cu Zn   |
|  |   |     |     |     |     |     | 90279048.08.01  | Cu Zn gal Sn                                  |
| 0,80   | 0,80  | 9,3 | 6,4 | 7,0 | 3,2 | 9,2 | 90329048.08.00  | Cu Zn   |
|  |   |     |     |     |     |     | 90329048.08.01  | Cu Zn gal Sn                                  |
| 0,80   | 0,80  | 9,3 | 6,4 | 7,0 | 4,2 | 9,2 | 90429048.08.00  | Cu Zn   |
|  |   |     |     |     |     |     | 90429048.08.01  | Cu Zn gal Sn                                  |