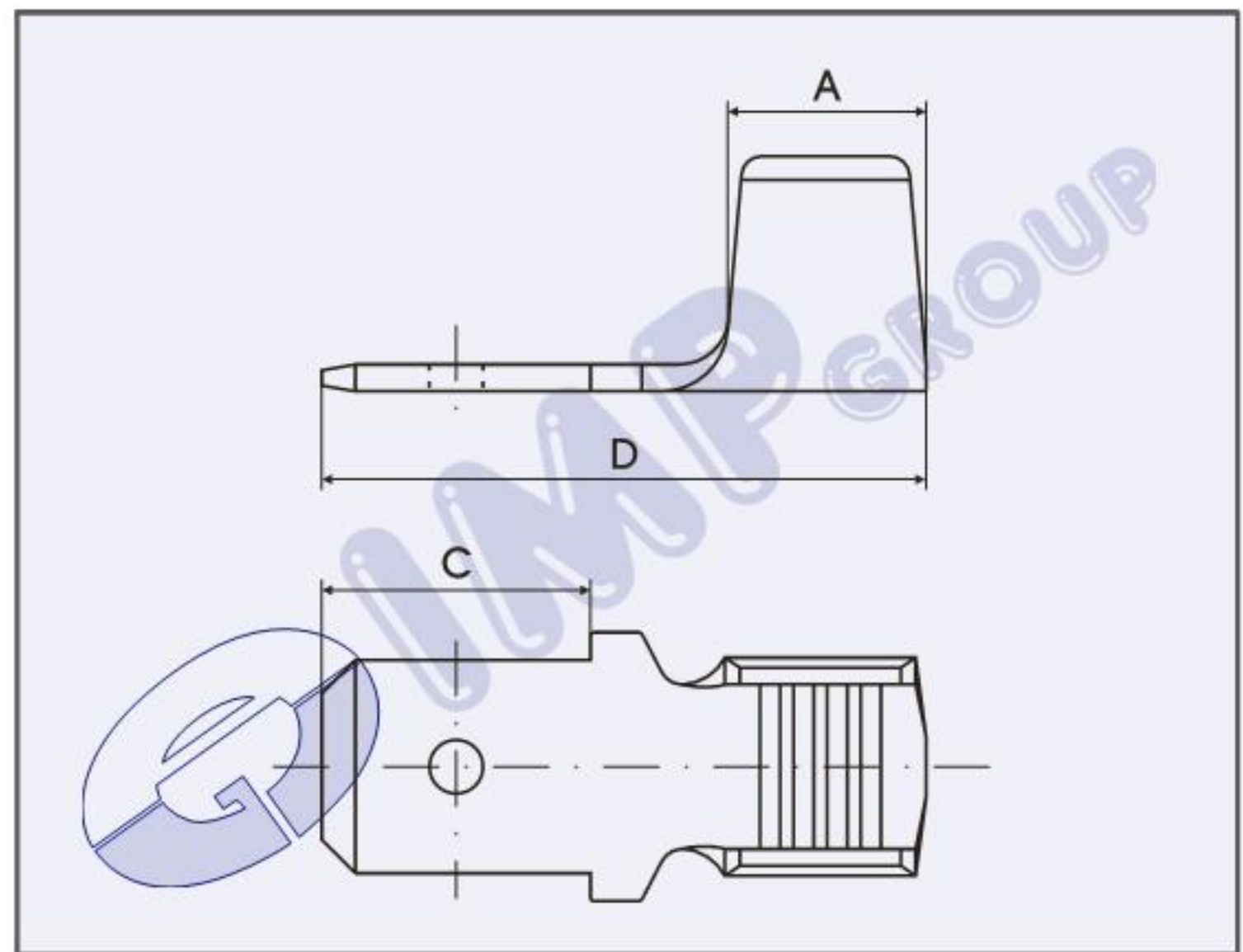
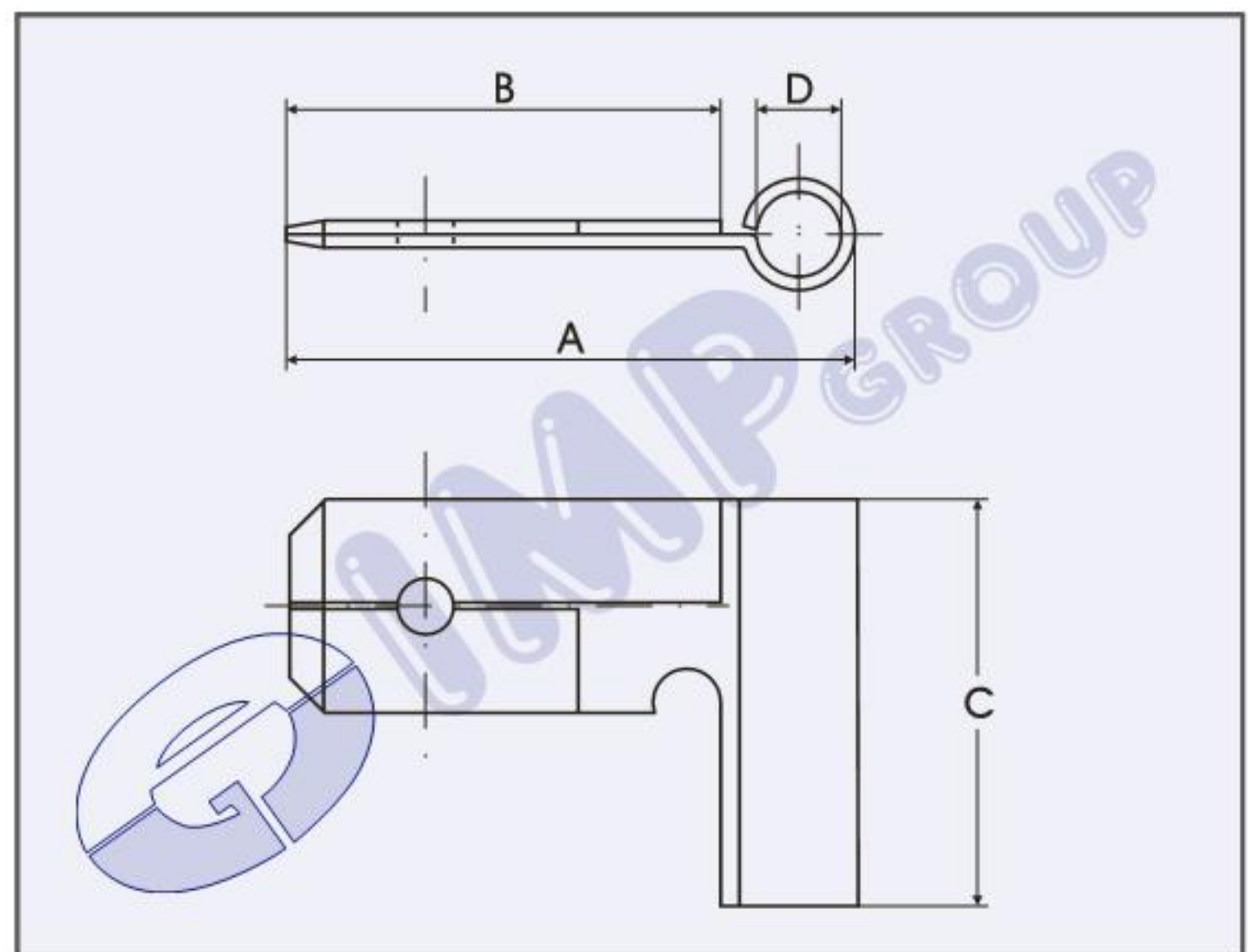


TERMINALI MASCHIO	6.3 x 0.8 mm
MALE TERMINALS	6.3 x 0.8 mm
COSSES MALES	6.3 x 0.8 mm
FLACHSTECKER	6.3 x 0.8 mm



Sezione cavo Wire range Section câble Nennquerschnitt mm <sup>2</sup>	Spess.materiale Material thick Epaisseur matériel Material dicke mm	A	B	C	D	Codice - Part No Code - Teile Nr.		Materiale Material Matériel Material
						Reel 4.000 Pcs.		
3 - 6	0,80	5,9	-	8,0	18,0	673/A		Steel gal Cu + Sn

TERMINALI MASCHIO	6.3 x 0.8 mm
MALE TERMINALS	6.3 x 0.8 mm
COSSES MALES	6.3 x 0.8 mm
FLACHSTECKER	6.3 x 0.8 mm



Spess.materiale Material thick Epaisseur matériel Material dicke mm	A	B	C	D	Codice - Part No Code - Teile Nr.		Materiale Material Matériel Material
					Bag 5.000 Pcs.		
0,38	16,1	12,0	12,0	2,5	C40538		Cu Zn gal Ag