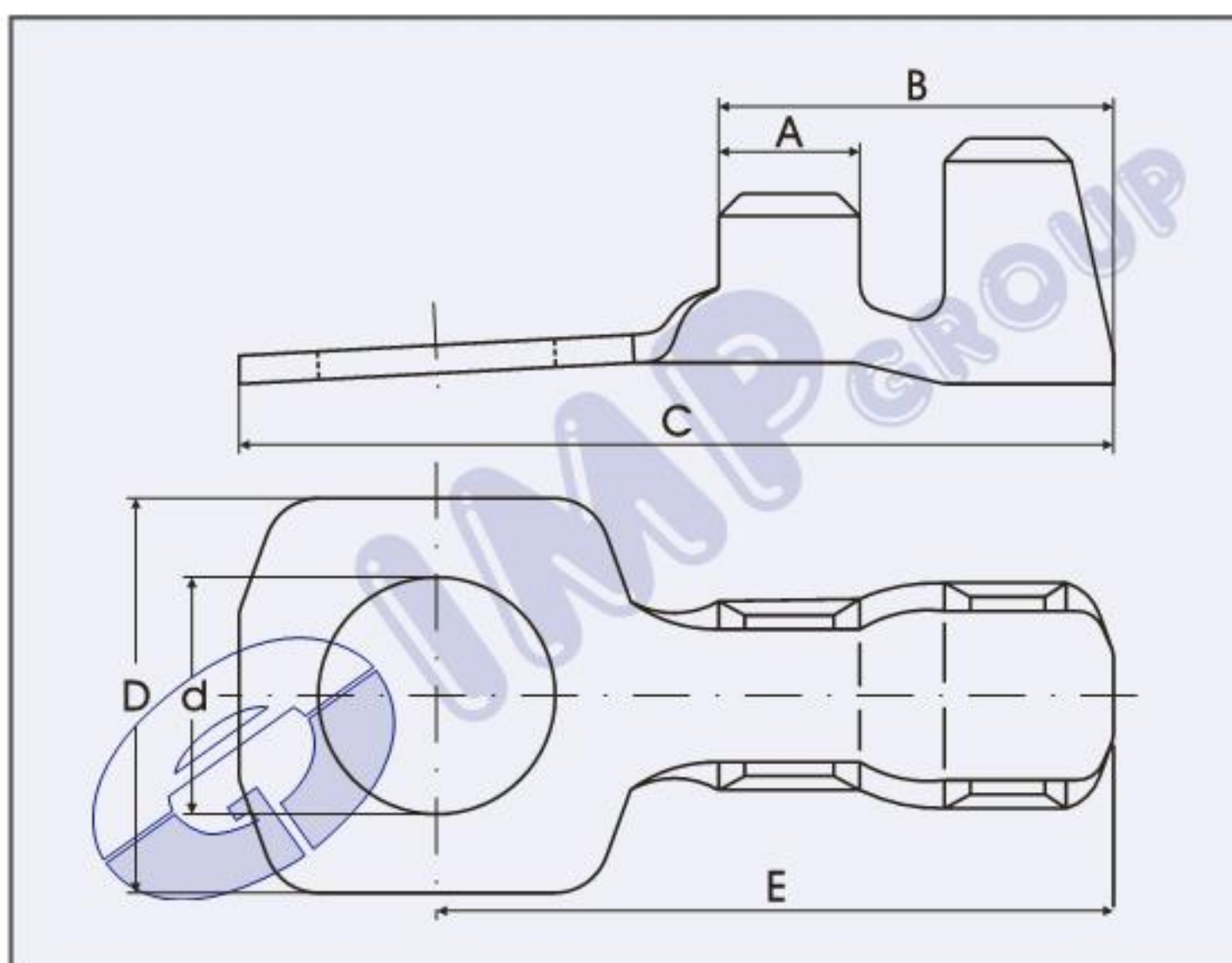


TERMINALI AD OCCHIELLO QUADRI
SQUARE PLATE EYELET TERMINALS
COSSES ANNEAU CARRÉS
VIERECKIGER RINGZUNGENENDVERSCHLÜSSEN


Sezione cavo Wire range Section câble Nennquerschnitt mm²	Ø Isolante Ø Insulation Ø Gaine Ø Isol. mm	Spess. materiale Material thick Epaisseur matériel Material dicke mm	A	B	C	D	d	E	Codice - Part No Code - Teile Nr.		Materiale Material Matériel Material
									Bag 2.500 Pcs.	Reel 1.500 Pcs.	
3 - 6	4,2 - 5,1	1,00	5,0	14,0	31,0	14,0	7,2	24,0	596.72.10.00.9	596.72.10.00.3	Cu Zn
									596.72.10.01.9	596.72.10.01.3	Cu Zn gal Sn
3 - 6	4,2 - 5,1	1,00	5,0	14,0	31,0	14,0	8,2	24,0	596.82.10.00.9	596.82.10.00.3	Cu Zn
									596.82.10.01.9	596.82.10.01.3	Cu Zn gal Sn