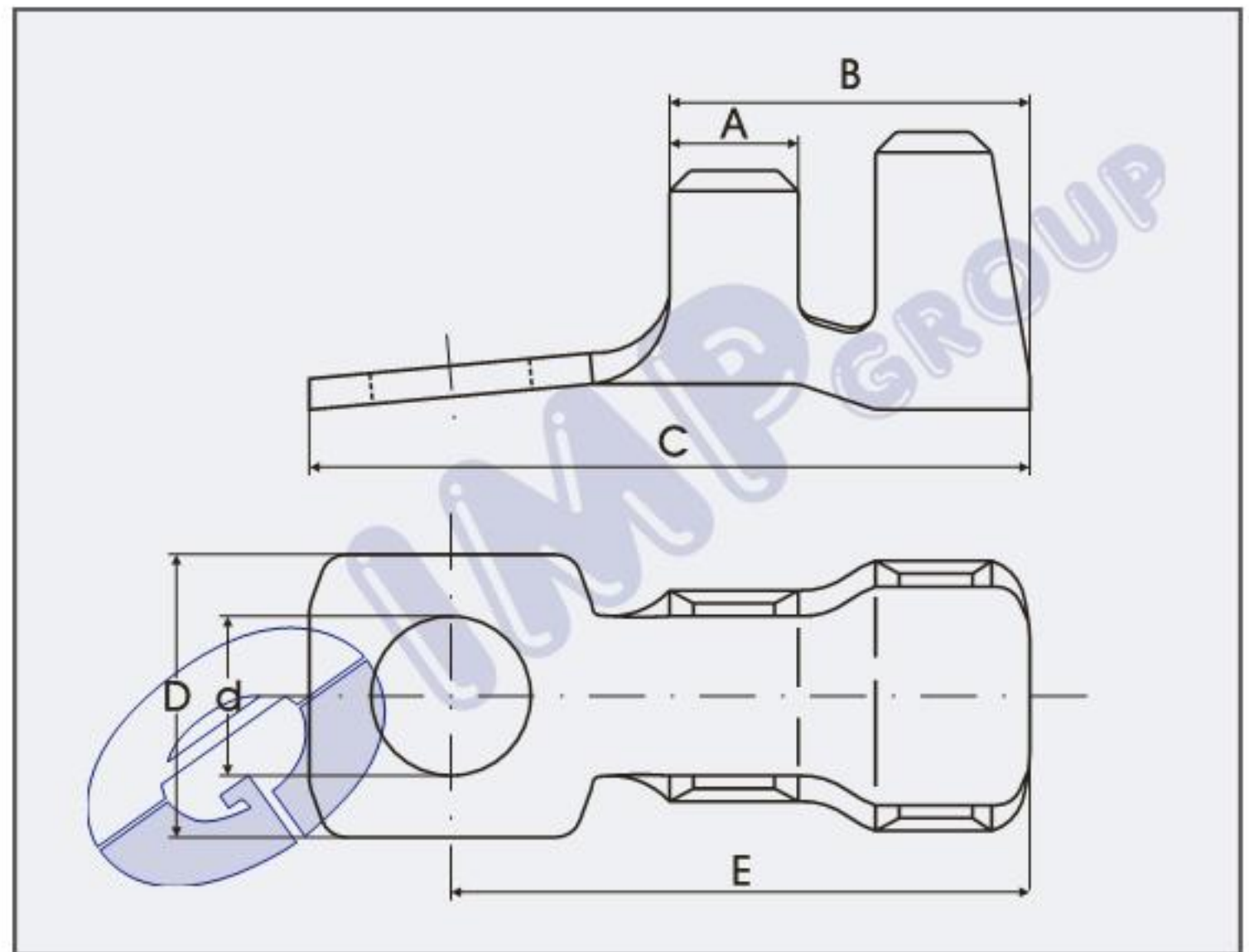


TERMINALI AD OCCHIELLO QUADRI

SQUARE PLATE EYELET TERMINALS

COSSES ANNEAU CARRÉS

VIERECKIGER RINGZUNGENENDVERSCHLÜSSEN



Sezione cavo Wire range Section câble Nennquerschnitt mm ²	Ø Isolante Ø Insulation Ø Gaine Ø Isol. mm	Spess.materiale Material thick Epaisseur matériel Material dicke mm	A	B	C	D	d	E	Codice - Part No Code - Teile Nr.		Materiale Material Matériel Material
									Bag 2.500 Pcs.	Reel 1.000 Pcs.	
10	6,7 - 7,1	1,20	5,0	14,0	28,0	11,0	6,2	22,5	597.62.12.00.9	597.62.12.00.3	Cu Zn
									597.62.12.01.9	597.62.12.01.3	Cu Zn gal Sn
10	6,7 - 7,1	1,20	5,0	14,0	28,0	11,0	7,2	22,5	597.72.12.00.9	597.72.12.00.3	Cu Zn
									597.72.12.01.9	597.72.12.01.3	Cu Zn gal Sn