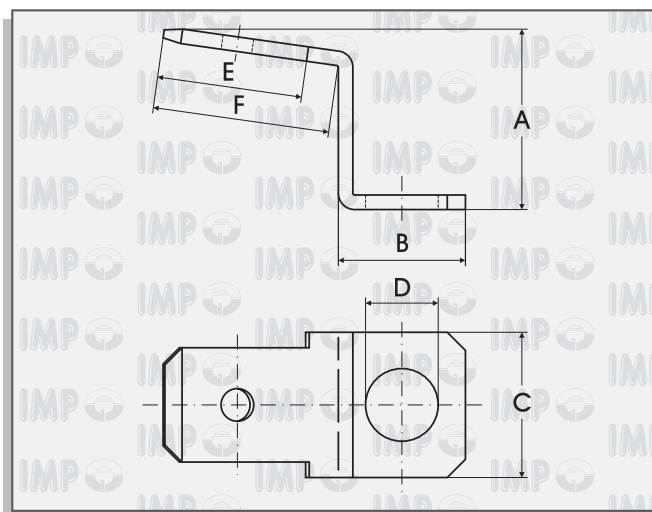

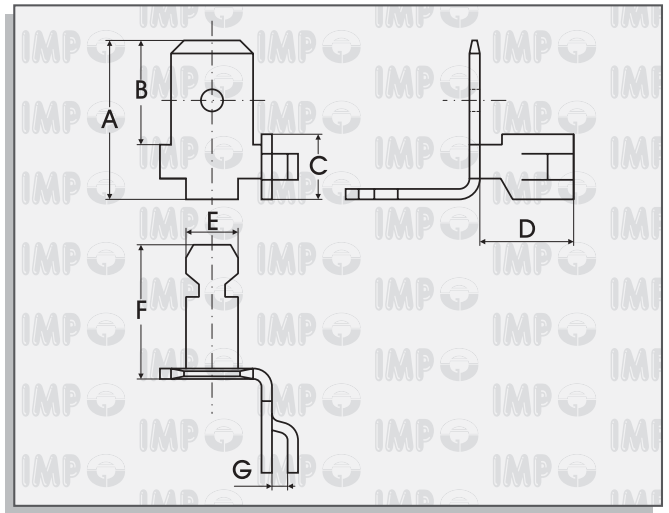



LINGUETTE	6.3 mm
TABS	6.3 mm
LANGUETTES	6.3 mm
FLACHSTECKER	6.3 mm



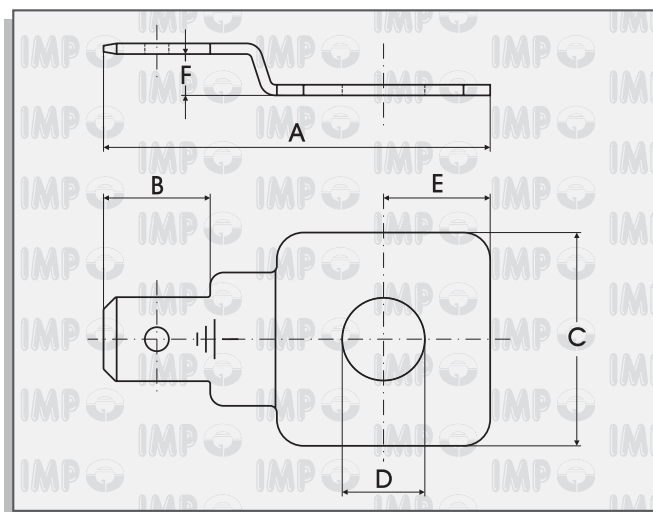
Spess.maschio Tab thick Epaisseur male Steckdicke mm	Spess.materiale Material thick Epaisseur matériel Material dicke mm	A	B	C	D	E	F	Codice - Part No. Code - Teile Nr.	Materiale Material Matériel Material
								Bag  5.000 Pcs.	
0,80	0,80	10,0	7,0	8,0	4,0	8,0	9,8	61976.08.00	Cu Zn
								61976.08.01	Cu Zn gal Sn


LINGUETTE	6.3 mm
TABS	6.3 mm
LANGUETTES	6.3 mm
FLACHSTECKER	6.3 mm



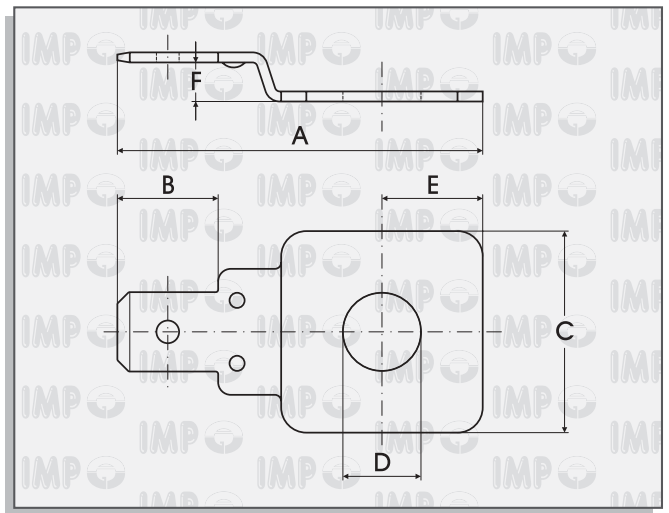
Spess.maschio Tab thick Epaisseur male Steckdicke mm	Spess.materiale Material thick Epaisseur matériel Material dicke mm	A	B	C	D	E	F	G	Codice - Part No. Code - Teile Nr.	Materiale Matériel Material
									Bag  5.000 Pcs.	
0,80	0,80	12,2	8,0	5,0	7,2	4,0	10,3	1,2	30682.08.00	Cu Zn
									30682.08.01	Cu Zn gal Sn
									30682.08.07	Cu Zn gal Ag


LINGUETTE	6.3 mm
TABS	6.3 mm
LANGUETTES	6.3 mm
FLACHSTECKER	6.3 mm



Spess.maschio Tab thick Epaisseur male Steckdicke mm	Spess.materiale Material thick Epaisseur matériel Material dicke mm	A	B	C	D	E	F	Codice - Part No. Code - Teile Nr.	Materiale Matériel Material
								Box  5.000 Pcs.	
0,80	0,80	29,0	8,0	16,0	6,2	8,0	3,0	50130.08.00	Cu Zn
								50130.08.01	Cu Zn gal Sn

LINGUETTE	6.3 mm
TABS	6.3 mm
LANGUETTES	6.3 mm
FLACHSTECKER	6.3 mm



Spess.maschio Tab thick Epaisseur male Steckdicke mm	Spess.materiale Material thick Epaisseur matériel Material dicke mm	A	B	C	D	E	F	Codice - Part No. Code - Teile Nr.	Materiale Material Matériel Material
								Box  5.000 Pcs.	
0,80	0,80	29,0	8,0	16,0	6,2	8,0	3,0	50140.08.00	Cu Zn
								50140.08.01	Cu Zn gal Sn