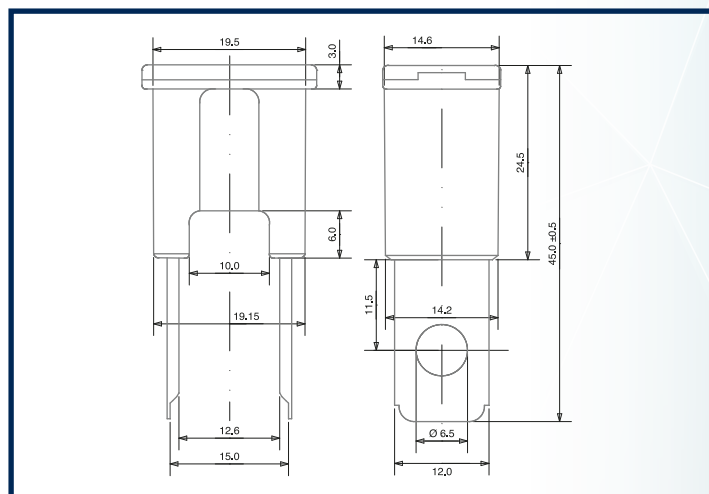


L - B series, japOTO SlowBlow fuse

- Meets international specs, complies to ISO 8820-4, JASO D612 and other standards
- Element visibility from top through transparent cover
- Robust/sturdy body construction
- Self extinguishing, color coded body materials
- High temperature resistive plastics used for fuse body materials
- Secure and controlled time-delayer functioning with purpose designed elements
- Integrated, durable, Cu-alloy receptacles
- Used in Japanese, European, American and Korean designed vehicles



CORRENTE NOMINALE RATED CURRENT COURANT NOMINALE NENNSTROM	CODICE CODE CODE TEILE Nr.
30A	JF020B
40A	JF030B
50A	JF040B
60A	JF050B
70A	JF060B
80A	JF060B
100A	JF060B
120A	JF060B
140A	JF060B