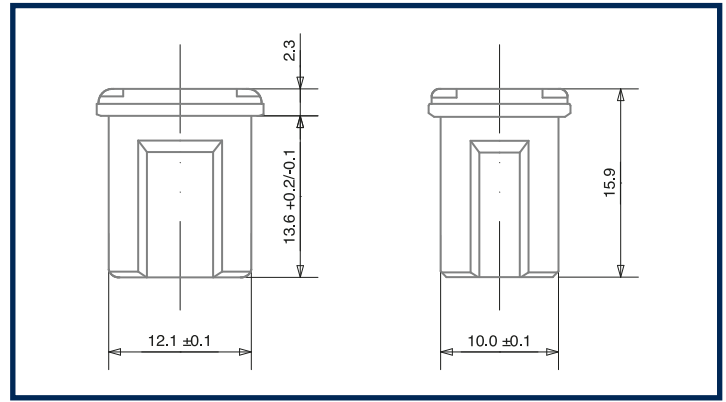


L - JLP series, japOTO SlowBlow fuse

- Meets international specs, complies to ISO 8820-4, JASO D612 and other standards
- Element visibility from top through transparent cover
- Robust/sturdy body construction
- Self extinguishing, color coded body materials
- High temperature resistive plastics used for fuse body materials
- Secure and controlled time-delayer functioning with purpose designed elements
- Integrated, durable, Cu-alloy receptacles
- Used in Japanese, European, American and Korean designed vehicles



CORRENTE NOMINALE RATED CURRENT COURANT NOMINALE NENNSTROM	CODICE CODE CODE TEILE Nr.
20A	JF020J
25A	JF025J
30A	JF030J
40A	JF040J
50A	JF050J
60A	JF060J