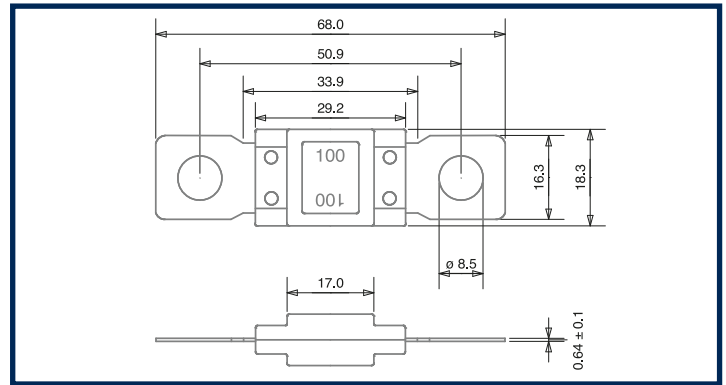


MEGA FUSES "MGV SERIE"

- Meets international specs, complies to ISO 8820-5, JASO D612 and other standards
- Fusing element with diffusion tin droplet technology
- Element visibility, windows on both sides
- Thermoplastic, heat resistant, color coded housing
- M8 connection holes, spaced 51 mm
- Rating indication in OCR font, both sides
- Breaking capacity of 2000A at 32VDC
- Maximum torque 12Nm ± 1Nm



CORRENTE NOMINALE RATED CURRENT COURANT NOMINALE NENNSTROM	COLORE COLOR COULEUR FARBE	CODICE CODE CODE TEILE Nr.
80A	Rosso - Red - Rouge - Rot	MGV080A
100A	Giallo - Yellow - Jaune - Gelb	MGV100A
125A	Verde - Green - Vert - Grün	MGV125A
150A	Arancione - Orange - Orange - Orange	MGV150A
175A	Neutro - Neutral - Neutre - Neutral	MGV175A
200A	Blu - Blue - Bleu - Blau	MGV200A
225A	Beige - Light Brown - Marron Clair - Beige	MGV225A
250A	Rosa - Pink - Rose - Rosa	MGV250A
300A	Grigio - Grey - Gris - Grau	MGV300A